



Optimiser digital temperature regulator 1520 series

Function

The Optimiser regulator is a digital compensated climate regulator. Particularly suited to temperature control and management of high and low temperature mixed circuits.

The device can be combined with mixing valves, with three-point motor drive, having rotation times of between 20 and 240 s.

The regulator is supplied with outside and flow temperature sensors and a cable clamp socket to make it easier to use when fitted on a wall.

It can also be connected at the back if used with an ordinary recess-mounting electric box.

As an option it can be connected to an additional system return sensor or to an ambient sensor thermostat.

Product range

- 152001 code Optimiser climate regulator with 1 channel
- 152002 code Optimiser climate regulator with 2 channels
- 152003 code Optimiser climate regulator with 3 channels
- 150009 code Flow and return temperature contact sensor
- 151000 code Ambient thermostat sensor

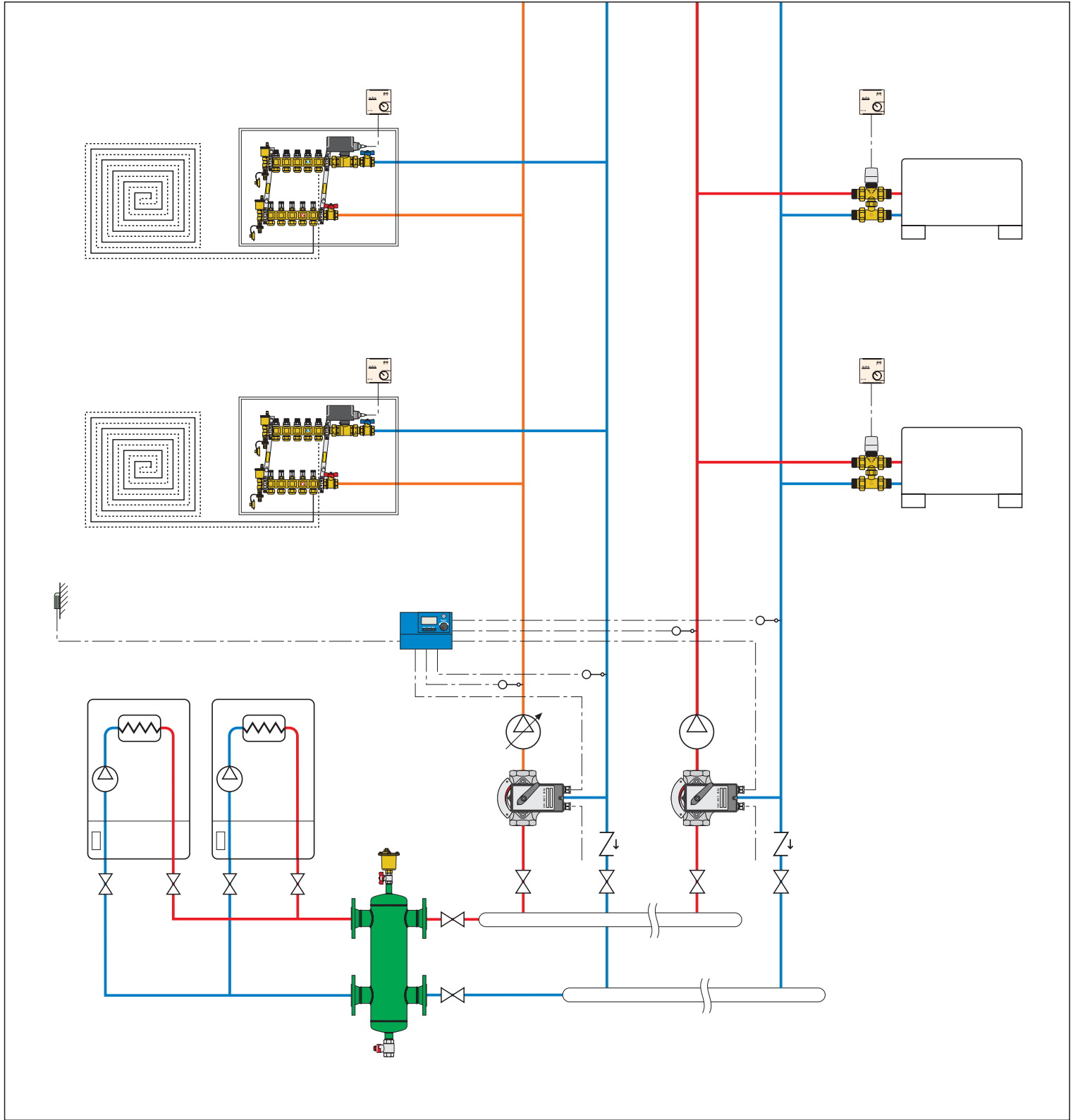


Technical specifications

1520 series

Power supply:	230 V (ac); ±10%, 50 – 60 Hz
Input:	5,5 VA
Adjustment range:	30–90°C
Output signals:	3 relay contacts for 152001 code 6 relay contacts for 152002 code 8 relay contacts for 152003 code
Contact capacity:	250 V (ac), 8(2) A (max 9 A summed)
Insulation class:	II
Protection class:	IP 40
Working ambient temperature range:	0–40°C
Storage temperature range:	-20–70°C
Maximum permissible humidity:	Class F, to DIN 40040
Settable mix rotation time:	from 10 to 900 s
Data holding with no power supply:	> one year
Clock operating life with no power supply:	> 4 hours
Minimum function changeover time:	10 min
Overall dimensions:	180 x 130 x 60 mm

Application diagram



We reserve the right to change our products and their relevant technical data contained in this publication at any time and without prior notice.