



## Automatic flow regulator with adjustable cartridge 118 series



### Function - Features

- maintain a constant flow rate, balancing the system automatically
- flow rate can be set on the desired value from the outside
- micrometric flow adjustment with indicators
- available with different ranges of flow rate and working pressure
- flow adjustment cartridge preassembled and removable from the valve body
- can be used for in heating and air-conditioning and plumbing systems

### Product range

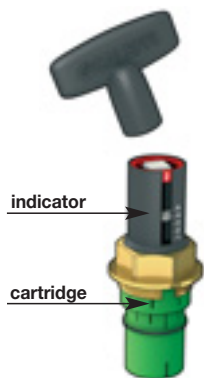
Code <b>118141</b> Automatic flow regulator	size 1/2"
Code <b>118151</b> Automatic flow regulator	size 3/4"
Code <b>118161</b> Automatic flow regulator	size 1"
Code <b>118171</b> Automatic flow regulator	size 1 1/4"
Code <b>118000</b> Cartridge adjustment key	

### Technical Specifications

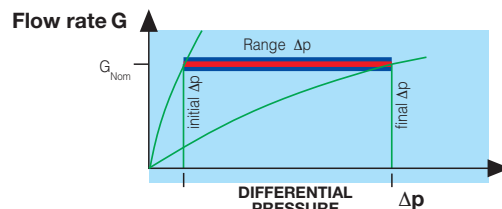
#### 118 series

Materials: - body:	brass EN 12165 CW617N
- pressure port plugs:	brass EN 12164 CW614N
- adjustable cartridge:	polymer with HNBR diaphragm
- hydraulic seals:	EPDM
Medium: water, glycol solutions	
Max percentage of glycol:	50%
Max working pressure:	25 bar
Temperature range:	0÷100°C
Δp range:	17÷210 kPa; 17÷400 kPa; 30÷400 kPa; 35÷400 kPa
Flow rates:	0,10÷5,00 m <sup>3</sup> /h
Accuracy:	± 5%
Connections:	1/2"÷1 1/4" F
Pressure port connections:	1/4" F

## Flow rate adjustment

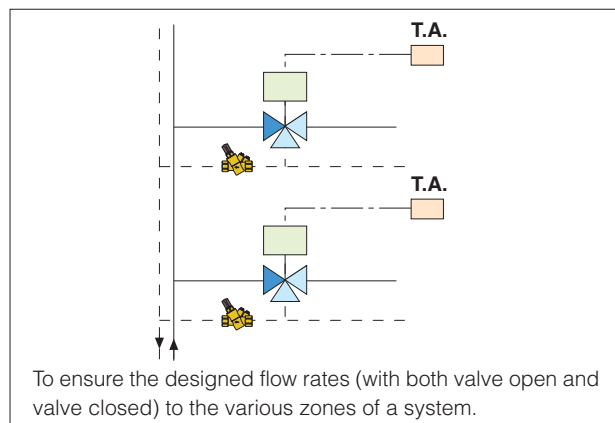
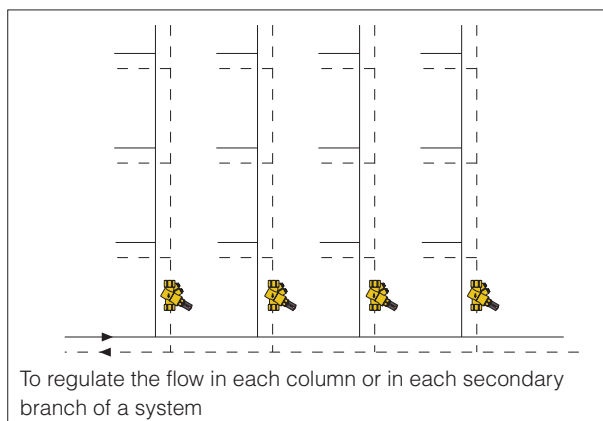


By using the special key (code 118000) you act on the adjustment mechanism and read off the desired position on the graduated reference scale. A double gauge, with a scale from 1 to 5 and decimal division from 1 to 9, permits making exact flow rate adjustments. Its colour identifies the pressure range. Depending on the range of flow rate, the cartridges are available in various colours to permit easy identification. The same colours are on the outside, on the adjuster screw and on the protection cover.



## Application diagrams

The flow regulators are preferably installed on the circuit return pipe.



## Method of coding

For correct identification of the device, fill in the form giving series No., size, flow rate, and  $\Delta p$

Full code number

1 <sup>a</sup>	2 <sup>a</sup>	3 <sup>a</sup>	4 <sup>a</sup>	5 <sup>a</sup>	6 <sup>a</sup>	7 <sup>a</sup>	8 <sup>a</sup>	9 <sup>a</sup>
1	1	8	1		1			

**SERIES**      **SIZE**      **RANGE OF FLOW RATE AND  $\Delta p$  RANGE**

SIZE

5<sup>a</sup>

The fifth digit indicates the size:

Size	1/2"	3/4"	1"	1 1/4"
Digit	4	5	6	7

FLOW RATE AND  $\Delta p$  RANGE

7<sup>a</sup>    8<sup>a</sup>    9<sup>a</sup>

The last three digits indicate the available flow rate and  $\Delta p$  range, with the corresponding cartridges. Each cartridge is marked by a specific colour.



Size body	Size cartridge	$\Delta p$ range (kPa)	flow rate range (m <sup>3</sup> /h)	Colour cartridge	Cartridge code number
1/2" - 3/4"	DN 20	17÷210	0,10÷0,40	Black	1YB
	DN 20	17÷210	0,15÷0,60	Green	1YG
1" - 1 1/4"	DN 20	35÷400	0,14÷0,60	Black	1GB
	DN 20	35÷400	0,24÷0,90	Green	1GG
	DN 20	30÷400	0,40÷1,30	Red	1YR
1" - 1 1/4"	DN 40	17÷400	1,05÷5,00	Black	2YB

We reserve the right to change our products and their relevant technical data contained in this publication at any time and without prior notice.